

TJ-4 SERIES



**DIMENSION**

TJ4

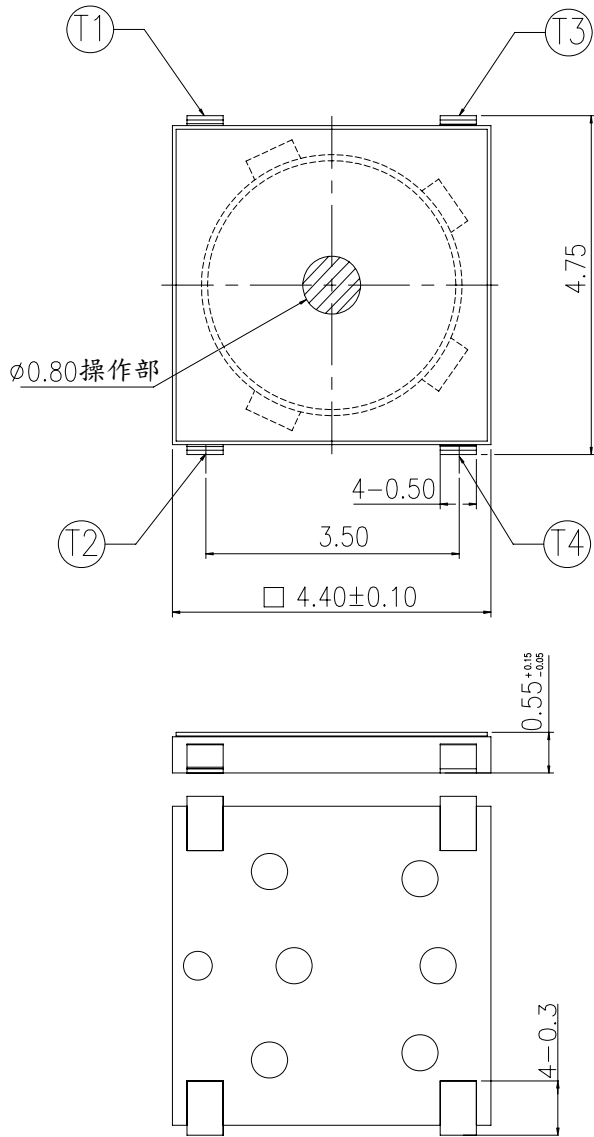
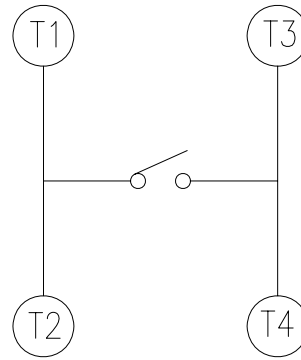
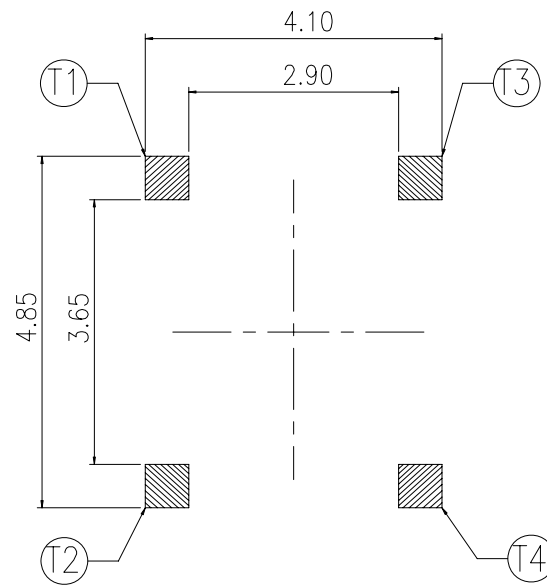


Table 1

PART NO	OF
TJ-410-Q	100gf
TJ-416-Q	160gf
TJ-420-Q	200gf
TJ-426-Q	260gf



CIRCUIT DIAGRAM

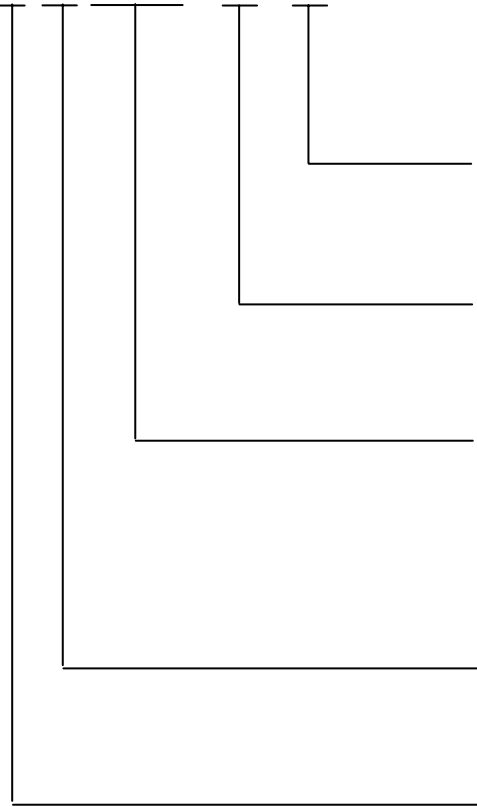


P.C.B. LAYOUT

General Tolerance : ±0.2mm

**HOW TO ORDER**

T J - 4 □ □ - Q - □



Package :  
T/R = Tape & Reel

Soldering :  
Q = Halogen Free

Operating Force :  
10 = 100gf  
16 = 160gf  
20 = 200gf  
26 = 260gf  
Prod. Size.  
4 = 4.4X4.4mm

J = J Terminal SMT Type

## SPECIFICATION

### △MECHANICAL

Operation Force :  $160\pm 50\text{gf}$ 、 $200\pm 50\text{gf}$ 、 $260\pm 50\text{gf}$

Stroke :  $0.2\pm 0.1\text{mm}$

Operation Temperature Range :  $-20^{\circ}\text{C}$  to  $+70^{\circ}\text{C}$

Storage Temperature Range :  $-30^{\circ}\text{C}$  to  $+80^{\circ}\text{C}$

### △ELECTRICAL

Electrical Life : 1,000,000 cycles for 160gf

500,000 cycles for 200gf、260gf

### △ELECTRICAL

Switching Rating : 50mA, 12VDC

Contact Resistance : 100 mΩ max.

Insulation Resistance : 100MΩ min. at 500 VDC

Dielectric Strength: 350 VAC/1 minute

Contact Arrangement : 1 pole 1throw

## MATERIAL

△BASE : UL 94V-0 LCP High-Temp Thermoplastic.

Color : Black

△CONTACT : Stainless steel with silver cladding.

△TERMINAL : Phosphor bronze with silver cladding.

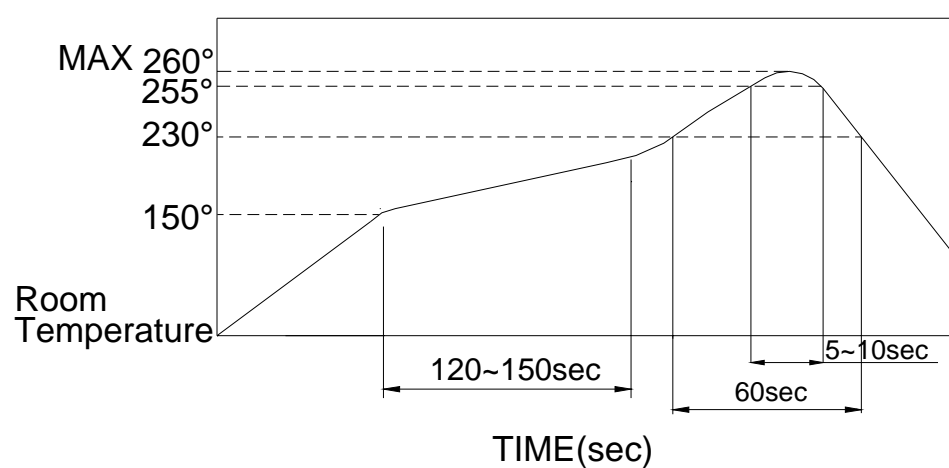
△TAPE : Kapton.

## SOLDERING PROCESS

△HAND SOLDERING : Use a soldering iron of 30 watts, controlled at  $350^{\circ}\text{C}$  approximately 5 seconds while applying solder.

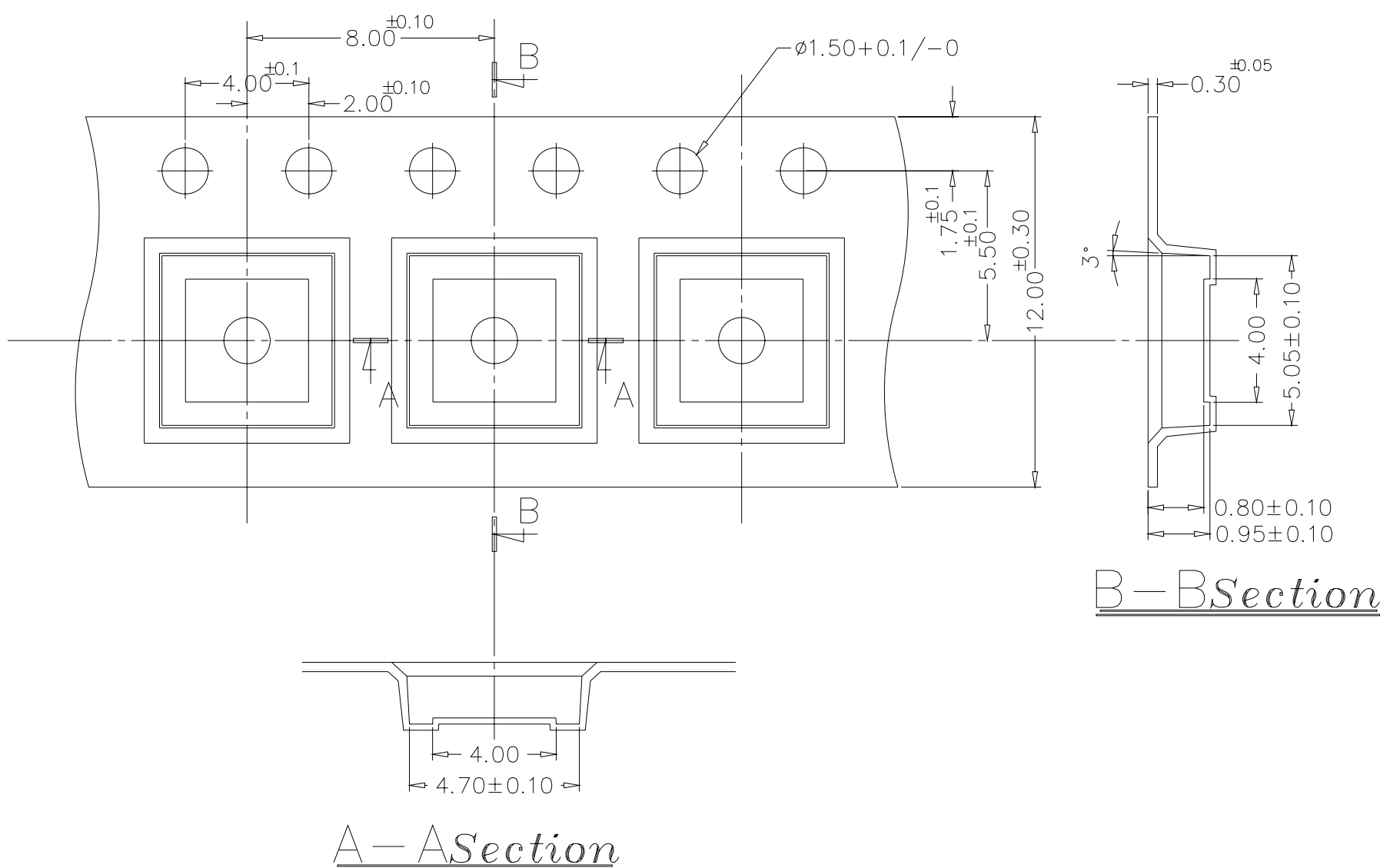
△REFLOW SOLDERING : Vapor phase & reflow soldering can be applied.

△Temperature Profile :



## PACKING

Part Number	Number Per Tube	Number Per Reel
TJ-4	-	8000



General Tolerance :  $\pm 0.1\text{mm}$